

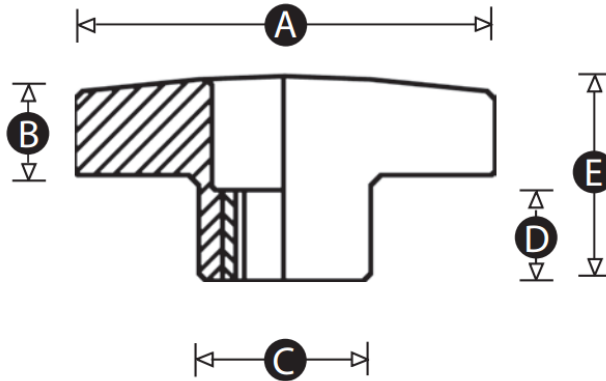
## G11TPK Through Thread Star Knob

### Features

- Designed for food and medical industries
- Suitable for all other applications
- Heavy duty

### Material

- Body: High impact resistant thermoplastic, matt black finish
- Insert: Brass, zinc plated steel or stainless steel



| Part No.      | A  | B  | C  | D  | E  | Thread Size | Insert Material   |
|---------------|----|----|----|----|----|-------------|-------------------|
| G11TPK-9151T  | 38 | 11 | 16 | 12 | 23 | M6          | Brass             |
| G11TPK-14342Q |    |    |    |    |    | M8          | Zinc plated steel |
| G11TPK-14352U |    |    |    |    |    | M8          | Stainless steel   |
| G11TPK-9152P  | 50 | 12 | 20 | 15 | 27 | M8          | Brass             |
| G11TPK-14343X |    |    |    |    |    | M10         | Zinc plated steel |
| G11TPK-14353Q |    |    |    |    |    | M10         | Stainless steel   |
| G11TPK-9246Y  | 60 | 14 | 24 | 15 | 29 | M10         | Brass             |